



CR0065

FITTING INSTRUCTIONS FOR CR0065BK/WH OFFSET COTTON REELS
YAMAHA YZF-R6 '17-

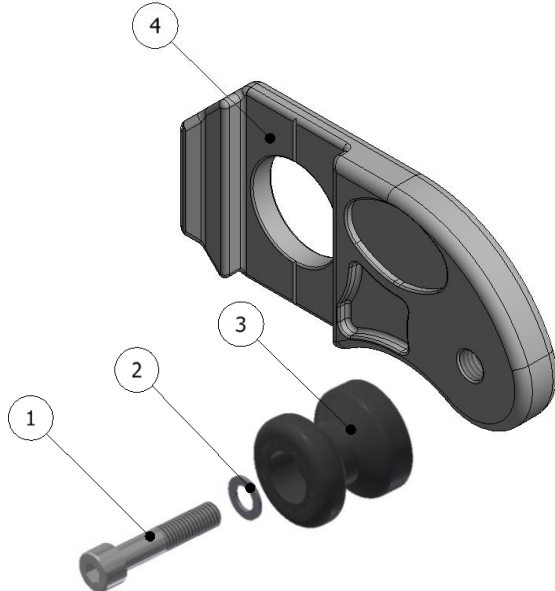
Page | 1



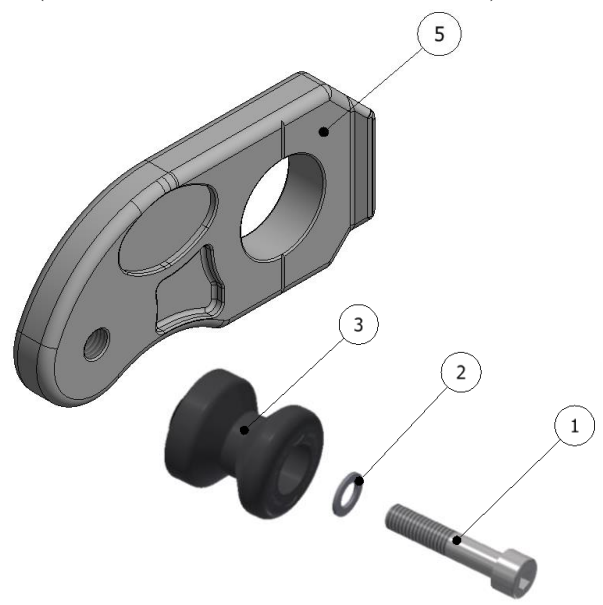
THIS KIT CONTAINS THE ITEMS PICTURED AND LABELLED BELOW.
DO NOT PROCEED UNTIL YOU ARE SURE ALL PARTS ARE PRESENT.

Please note that the way the kit is packed does not necessarily represent the way of mounting to the bike

THE PARTS SHOWN MAY BE REPRESENTATIVE ONLY (FOR CLARITY OF INSTRUCTIONS ONLY)



LEFT SIDE



RIGHT SIDE



CR0065

LEGEND

- ITEM 1 = M8 x 40mm LONG CAP HEAD BOLTS (x2).
ITEM 2 = M8 WASHERS (x2).
ITEM 3 = COTTON REEL BOBBIN (B0443 with CS300) (x2).
ITEM 4 = LEFT ADJUSTER BLOCK/COTTON REEL MOUNT (M0528) (x1).
ITEM 5 = RIGHT ADJUSTER BLOCK/COTTON REEL MOUNT (M0529) (x1).

Page | 2

Please note that in cases where kits are packed with rubber washers holding the components onto the bolt – *the rubber washers should be thrown away!*

TOOLS REQUIRED

- Set of Metric Allen keys to include 6mm A/F.
 - 32mm A/F socket & wrench.
- Torque wrench to be used at manufactures recommended Torque settings.
 - Paddock stand.

GENERAL TORQUE SETTINGS

M4 BOLT = 8Nm
M5 BOLT = 12Nm
M6 BOLT = 15Nm
M8 BOLT = 20Nm
M10 BOLT = 40Nm

Please read all instructions before commencing fitting

FITTING INSTRUCTIONS

- Raise the rear of the bike using a paddock stand and swingarm mounted rear bobbins (not supplied) whilst supporting the rear wheel (suggest using blocks of wood) to prevent the wheel from dropping when rear spindle is removed.
- Undo the rear spindle nut.
- Remove the rear spindle.
- Remove the OEM chain adjuster blocks.
- Place the new left hand adjuster block/cotton reel mount (this is the adjuster block/cotton reel mount with the slot to accept the spindle head, onto the rear wheel spindle as original.
- Slide spindle through the left hand side of the swing arm, rear wheel, brake calliper and right hand side of the swing arm.
- Place the remaining thicker adjuster block/cotton reel mount over the exposed spindle and into adjuster slot on the right hand side.
- Refit the spindle washer and nut and tighten according to the manufactures recommended torque settings and check chain adjustment.
- Fit one M8 bolt through either washer then through the cotton reel bobbin, before tightening into the threaded hole in the adjuster block/cotton reel mount, as shown above.
- Repeat the above process on the other side of the bike.
- Remove bike from the stand.
- Fit the bubble stickers to the new adjuster blocks on both sides as shown above.

Digital copies of these instructions are available to download from www.rg-racing.com

ISSUE 1 30/06/2017 (AR)

R&G Racing

Unit 1, Shelley's Lane, East Worldham, Alton, Hampshire, GU34 3AQ
Tel: +44 (0)1420 89007 Fax: +44 (0)1420 87301 www.rg-racing.com Email: info@rg-racing.com



CR0065

CONSUMER NOTICE

The catalogue description and any exhibition of samples are only broad indications of the Products and R&G may make design changes which do not diminish their performance or visual appeal and supplying them in such state shall conform to the order. The Buyer acknowledges no representation or warranty (other than as to title) has been given or will apply to the Products other than those in R&G's order or confirmation and the Buyer confirms it has chosen the Products as being of merchantable quality and suitable for its particular purposes. Where R&G fits the Products or undertakes other services it shall exercise reasonable skill and care and rectify any fault free of charge unless the workmanship has been disturbed. The Buyer is responsible for ensuring that the warranty on the motorcycle is not affected by the fitting of the Products. On return of any defective Products R&G shall at its option either supply a replacement or refund the purchase money but shall not be liable if the Products have been modified or used or maintained otherwise than in accordance with R&G's or manufacturer's instructions and good engineering practice or if the defect arises from accident or neglect. Other than identified above and subject to R&G not limiting its liability for causing death and personal injury, it shall not be liable for indirect or consequential loss and otherwise its liability shall be limited to the amounts paid by the Buyer for the Products or the fitting or service concerned. These terms do not affect the Buyer's statutory rights.

Page | 3

R&G RACING RETURNS POLICY (NON-FAULTY GOODS)

Returns must be pre-authorized (if not pre-authorized the return will be rejected). Goods may only be returned direct to us if they were purchased direct from us (customer must prove if necessary). Otherwise to be returned to original vendor. Goods must be in re-sellable condition, in the opinion of R&G Racing. All returns are subject to a 25% restocking and handling fee (25% of the gross value exc. P&P – at the prevailing price at time of purchase). The customer must pay any and all carriage charges. No returns of discontinued products, unless within 14 days of purchase. This policy does not affect your statutory rights and does not refer to faulty goods.

R&G Racing

Unit 1, Shelley's Lane, East Worldham, Alton, Hampshire, GU34 3AQ

Tel: +44 (0)1420 89007 Fax: +44 (0)1420 87301 www.rg-racing.com Email: info@rg-racing.com



CR0065

NOTICE DE MONTAGE POUR CR0065BK/WH PROTECTIONS CRASH
YAMAHA YZF-R6 '17-

Page | 4



Le kit contient les articles exposés ci-dessous, vérifier que toutes les pièces soient présentes avant de procéder au montage.

La façon dont le kit est emballé ne correspond pas forcément à la façon de monter les pièces sur la moto.

LES PARTIES PRESENTEES PEUVENT ETRE UNIQUEMENT REPRESENTATIVES (POUR LA CLARTE DES INSTRUCTIONS UNIQUEMENT)



LEFT SIDE

RIGHT SIDE

R&G Racing

Unit 1, Shelley's Lane, East Worldham, Alton, Hampshire, GU34 3AQ

Tel: +44 (0)1420 89007 Fax: +44 (0)1420 87301 www.rg-racing.com Email: info@rg-racing.com



CR0065

COTE GAUCHE

COTE DROIT

LEGENDE

ARTICLE 1 = M8 x 40mm BOULONS (x2).

ARTICLE 2 = M8 RONDELLES (x2).

ARTICLE 3 = BOBINE (B0443 avec CS300) (x2).

ARTICLE 4 = BLOC D'AJUSTEMENT DU CÔTÉ GAUCHE / SUPPORT BOBINE (M0528) (x1).

ARTICLE 5 = BLOC D'AJUSTEMENT DU CÔTÉ DROIT / SUPPORT BOBINE (M0529) (x1).

Page | 5

Notez que si les kits sont emballés avec des rondelles en caoutchouc servant à tenir les composants, *ces rondelles doivent être jetées !*

OUTILS REQUIS

- Clé Allen 6mm
- Clé à molette 32mm
- Torque wrench to be used at manufactures recommended Torque settings.
 - Paddock stand.

GENERAL TORQUE SETTINGS

M4 BOLT = 8Nm

M5 BOLT = 12Nm

M6 BOLT = 15Nm

M8 BOLT = 20Nm

M10 BOLT = 40Nm

Please read all instructions before commencing fitting

FITTING INSTRUCTIONS

- Clé dynamométrique à utiliser selon les valeurs préconisées.
 - Béquille de stand.

VALEURS DE SERRAGE RECOMMANDÉES

M4 BOULON = 8Nm

M5 BOULON = 12Nm

M6 BOULON = 15Nm

M8 BOULON = 20Nm

M10 BOULON = 40Nm

Lire l'ensemble de la notice avant de procéder au montage

NOTICE DE MONTAGE

- Lever l'arrière de la moto à l'aide de la Béquille de stand avec les pads de bras oscillant en caoutchouc ou la Béquille en pivot montée sur le bras oscillant (non fourni) tout en supportant la roue arrière (nous suggérons d'utiliser des blocs de bois pour caler) pour éviter à la roue de tomber lorsque l'axe de roue arrière est retiré.
- Enlever l'écrou d'axe arrière.
- Enlever l'axe arrière.
- Enlever les blocs d'ajustement de chaîne d'origine.

R&G Racing

Unit 1, Shelley's Lane, East Worldham, Alton, Hampshire, GU34 3AQ

Tel: +44 (0)1420 89007 Fax: +44 (0)1420 87301 www.rg-racing.com Email: info@rg-racing.com



CR0065

Page | 6

- Placer le nouveau bloc d'ajustement du côté gauche / support bobine (c'est le bloc d'ajustement/support bobine avec la fente prévue pour accueillir la tête d'axe, sur l'axe de roue arrière comme à l'origine.
- Glisser l'axe du côté gauche du bras oscillant, cale-pied de frein, roue arrière, et du côté gauche du bras oscillant.
- Placer le bloc d'ajustement épais restant/support bobine sur l'axe et dans la fente d'ajustement du côté droit.
- Réinsérer la rondelle d'axe et l'écrou puis serrer selon les valeurs de serrage recommandées, puis vérifier l'ajustement de la chaîne.
- Insérer un boulon M8 dans une rondelle puis dans la bobine, avant de serrer dans le trou fileté du bloc d'ajustement /support bobine, voir ci-dessus.
- Répéter l'opération ci-dessus de l'autre côté de la moto.
- Enlever la moto de la béquille.
- Insérer les stickers dans les nouveaux blocs d'ajustement des 2 côtés, voir ci-dessus.

Notice disponible au téléchargement sur www.rg-racing.com

ISSUE 1 30/06/2017 (AR)

CONSUMER NOTICE

The catalogue description and any exhibition of samples are only broad indications of the Products and R&G may make design changes which do not diminish their performance or visual appeal and supplying them in such state shall conform to the order. The Buyer acknowledges no representation or warranty (other than as to title) has been given or will apply to the Products other than those in R&G's order or confirmation and the Buyer confirms it has chosen the Products as being of merchantable quality and suitable for its particular purposes. Where R&G fits the Products or undertakes other services it shall exercise reasonable skill and care and rectify any fault free of charge unless the workmanship has been disturbed. The Buyer is responsible for ensuring that the warranty on the motorcycle is not affected by the fitting of the Products. On return of any defective Products R&G shall at its option either supply a replacement or refund the purchase money but shall not be liable if the Products have been modified or used or maintained otherwise than in accordance with R&G's or manufacturer's instructions and good engineering practice or if the defect arises from accident or neglect. Other than identified above and subject to R&G not limiting its liability for causing death and personal injury, it shall not be liable for indirect or consequential loss and otherwise its liability shall be limited to the amounts paid by the Buyer for the Products or the fitting or service concerned. These terms do not affect the Buyer's statutory rights.

R&G RACING RETURNS POLICY (NON-FAULTY GOODS)

Returns must be pre-authorized (if not pre-authorized the return will be rejected). Goods may only be returned direct to us if they were purchased direct from us (customer must prove if necessary). Otherwise to be returned to original vendor. Goods must be in re-sellable condition, in the opinion of R&G Racing. All returns are subject to a 25% restocking and handling fee (25% of the gross value exc. P&P – at the prevailing price at time of purchase). The customer must pay any and all carriage charges. No returns of discontinued products, unless within 14 days of purchase. This policy does not affect your statutory rights and does not refer to faulty goods.

R&G Racing

Unit 1, Shelley's Lane, East Worldham, Alton, Hampshire, GU34 3AQ

Tel: +44 (0)1420 89007 Fax: +44 (0)1420 87301 www.rg-racing.com Email: info@rg-racing.com